

Applications

Voltage Transformer Protection

PBWA fuse bases are designed to protect primary circuits of voltage transformers against internal faults and short circuits. When used with low-rated fuse links, they provide rapid isolation of a faulty transformer from the switchgear busbars..

Use in MV metering panels

Installed in transformer and metering compartments of indoor medium voltage switchgear. The design is fully compatible with WBP (ABB) and HH-VL (EFEN) fuse links commonly used in MV systems.

Visible isolation gap for safe maintenance

Removal of the fuse link creates a clearly visible and safe isolation gap in the transformer circuit, ensuring secure conditions for maintenance, testing, and servicing.

High short-circuit withstand capability

The robust design ensures high short-circuit resistance and reliable performance under demanding operating conditions in MV switchgear.

Installation details

Current terminals designed for M8 bolts allow quick and straightforward integration with standard busbar systems. The compact design ensures compatibility with commonly used fuse links, while also providing a visible and safe isolation gap after fuse removal, essential for maintenance work on voltage transformers.

Head Office:

Łuczynów 98 | 26-900 Kozienice
phone: +48 48 614 61 14

Sales Office:

ul. Nowa 8A | 63-400 Ostrów Wielkopolski
phone: +48 530 906 662 | +48 530 244 868

email: sekretariat@alpar.pl

alpar.pl



Fuse bases – PBWA indoor series

PBWA fuse bases are specifically designed for the protection of primary circuits of voltage transformers in medium voltage networks, offering a reliable and fully compatible alternative to existing solutions on the market.

Why PBWA?

Performance driven by quality

Key advantages and design features:

⚡ Top-class insulation

The use of modern epoxy insulators (type OW3.bp2) ensures excellent dielectric performance and mechanical stability of the structure.

⚡ Certified quality

The product has successfully passed full type testing at the Institute of Power Engineering in Warsaw, confirming compliance with the latest PN-EN IEC 60282-1:2021 standard.

⚡ Full compatibility with competitor fuse links

Designed for seamless use with WBP and HH-VL fuse links, enabling easy replacement in existing installations.

⚡ Compact design

Compact dimensions and low weight allow for easy installation, even in switchgear with limited space.

⚡ Durable frame construction

The PBWA frame is made of steel and powder-coated in RAL 6033, providing superior corrosion resistance compared to galvanised solutions.

⚡ Made in Poland

Alpar is currently the only domestic manufacturer of this type of fuse base, ensuring local technical support and short delivery times.

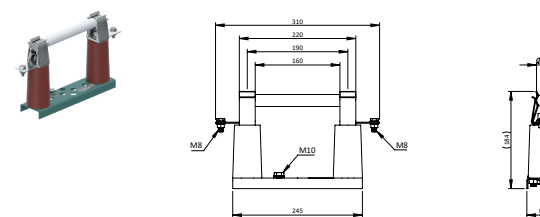
⚡ Easy installation in MV switchgear

Standard current terminals designed for M8 bolts enable fast and straightforward installation in medium voltage switchgear.

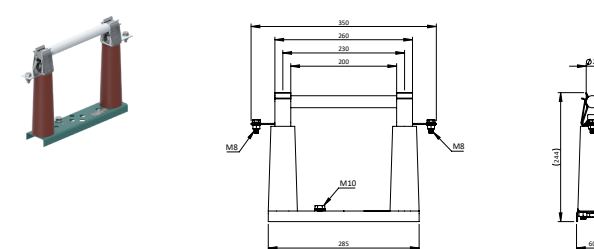
Technical data



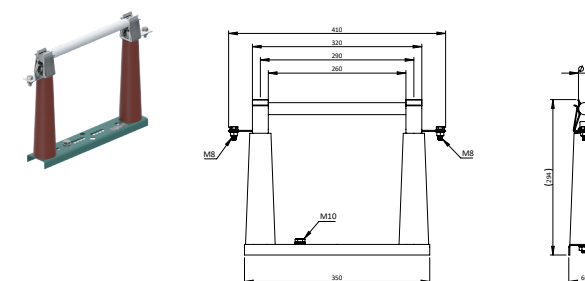
PBWA-6



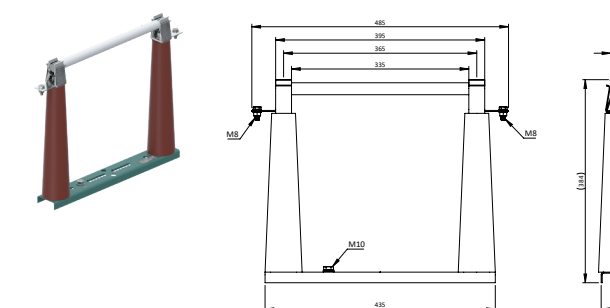
PBWA-10



PBWA-20



PBWA-30



Parameter / Type	PBWA-6	PBWA-10	PBWA-20	PBWA-30
Rated voltage	6 (7,2) kV	10 (12) kV	20 (24) kV	30 (36) kV
Fuse length (L)	160 mm	200 mm	260 mm	335 mm
Weight	1.93 kg	2.82 kg	3.14 kg	4.72 kg
Short-circuit withstand (Ii)	63 kA	63 kA	63 kA	63 kA (40 kA dla 36kV)
Mounting distance	220 mm	260 mm	320 mm	395 mm

Replacement table

ABB	PBPM			
EFEN	PB 7.2	PB 12	PB 24	PB 36